



DOORS
PITLESS
EHM
EH/4C
EH/DC-EH/DCL
EH-1500
HO and EH-500

PLATFORMS



PLATFORMS

HO and EH-500

HO

Platforms with calibrated guide rails welded to a frame. The suspensions is by means of chains and is provided with a rupture valve as a protection against any failure of the suspension elements. Optimize the shaft space and requires a minimum pit of only 120 mm.

EH-500

The Platforms **EH-500** is more robust with a guide-structure made of laminated profiles and metallic rollers, two working cables or chains and two safety cables as protection against any failure of the suspension elements.

This goods lift is suitable for larger surface areas, weights of up to 750 kg can be supplied with handrails, lateral walls or doorless cars with a light on the carrier.

CHARACTERISTICS

Model	HO	EH-500
Load	From 100 to 500 kg	From 200 to 750 kg
Maximum travel *	12 m	
Speeds	0,2 and 0,3 m/s	0,1 and 0,2 m/s
Maximum surface area	2 m ²	3,15 m ²
Main options	Low speed releveling Handrails, lateral walls or cabin	

(*) Consult for great travel distances.

Please check out our technical specifications to solve any doubt you may have.



Platform HO



Platform EH-500



For graphic reasons, the photographs are showing the platforms without protections or doors.



PLATFORMS

EH-1500

ADAPTED TO YOUR NEEDS

Built in a similar way to the EH-500, it is a very robust goods lift with a guide-structure of laminated profiles. The sling has been fitted with a lateral guiding of 4 rollers for better stability when loads are not centred or when using lateral entrances. This goods only lift is ideal for warehouses and retailers as it is designed for loads of from one to two tonnes, which is usually the normal maximum weight of a food pallet.

Not only does it have a slow speed re-levelling option but it can also be fitted with an anti-creep system (pawl device) that keeps the lift-car perfectly levelled to the landings during loading and unloading.

The goods lift can also be fitted with 1,100 mm handrails, 2,000 to 2,500 mm lateral walls (roofless car) or a doorless car with interior lighting. In this, and other models used for heavy loads, the lateral walls and the doorless cars have reinforced protections (which can be easily replaced) that have proved highly efficient in protecting against the inevitable bumps and knocks that occur during loading with pallet jacks.

CHARACTERISTICS

Model	EH -1500
Load	1,000, 1,500 and 2,000 kg
Maximum travel *	12 m
Speeds	0,1 and 0,2 m/s
Maximum surface area	5,60 m ²
Main options	Slow speed releveling Anti-creep (pawl device) Handrails, lateral walls or cabin

(*) Consult for great travel distances.

Please check out our technical specifications to solve any doubt you may have.



Platforms EH-1500



Details of the anti-creep latch



Limit switch



For graphic reasons, the photographs are showing the platforms without protections or doors.



PLATFORMS

EH/DC-EH/DCL

THE POWER TO BE VERSATILE

These goods lifts are for loads from 1 to 5 tonnes and include the same options as the EH-1500.

Thanks to its load capacity, this model is the best when working with a forklift, which, added to the weight of the load, is a heavy piece of machinery.

Made up of opposing columns, the **EH/DC** is used when the floor of the lift is wider than what is advisable for a column on just one side.

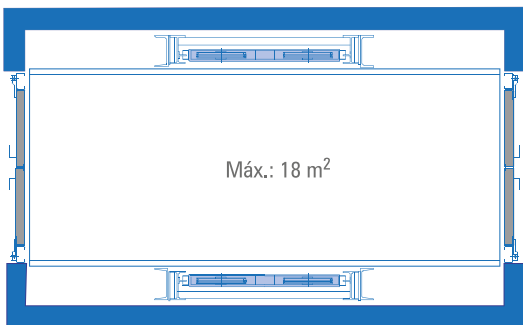
Made up of adjacent columns on the same side, the **EH/DCL** is used when a greater load capacity is required than that of an EH-1500. This offers the possibility of entrances via all three sides and utilizes the shaft better than the model with opposing columns.

CHARACTERISTICS

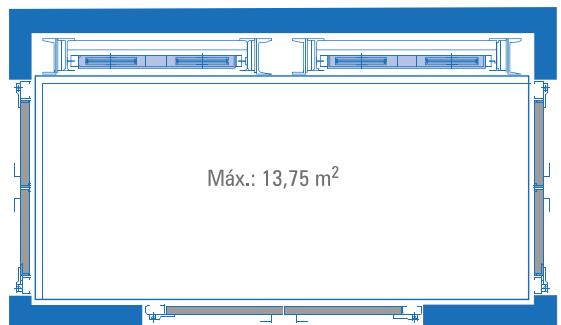
Model	EH / DC	EH / DCL
Load	1,000, 2,000, 3,000, 4,000 and 5,000 kg	2,000 and 3,000 kg
Maximum travel *	12 m	
Speeds *	0,1 and 0,2 m/s	
Maximum surface area	18 m ²	13,75 m ²
Main options	Slow speed relevelling	
	Anticreep (pawl device)	
	Handrails, lateral walls or cabin	

(*) Consult for great travel distances.

Please check out our technical specifications to solve any doubt you may have.



Plan EH / DC



Plan EH / DCL



PLATFORMS

EH/4C

FOR VERY HEAVY LOADS

Platforms **EH/4C** are built for loads from 4 to 10 tonnes and can even be made for loads of up to 40 tonnes to meet the specific needs of each client.

The columns on each corner allow entrances on all four sides what makes it highly versatile. This model is best when a long travel distance with heavy loads is required. It is also equipped with anticreep (pawl device) and slow speed releveling.

CHARACTERISTICS

Model	EH / 4C
Load *	4 to 10 tonnes
Maximum travel *	12 m
Speeds	0,1 and 0,2 m/s
Maximum surface area	25 m ²
Main options	Handrails, lateral walls

(*) Consult for greater travel distances or loads.

Please check out our technical specifications to solve any doubt you may have.



For graphic reasons, the photographs are showing the platforms without protections or doors.

EHM / THE PLATFORMS WITH ATTENDANT

- Adjustable dimensions.
- Possibility of single or 180° loading.
- Standard Cabin with galvanised sheet (see pictures).
- Choice of stainless finishes and choice of floor surface.



Easily replaceable, reinforced protective features to absorb the inevitable knocks in the loading process.

Flush mounted landing button panels with key switches to enable or disable the loop.

Removable wall panel for ease of maintenance from inside the cabin.

Recessed COP (Car Operating Panel) with hold-to-run push button, protected by a frame to prevent damage during loading operations.

Featuring:

- Overload detection system.
- Key switch (preferential use).
- Emergency stop button.
- Alarm button.
- Emergency light and illuminated selector switch for anticreep manoeuvring (optional).



Single or double leaf manual hinged door with flush interior handle.

Class III photoelectric safety barrier for each entrance.

Ceiling light.



Manual or automatic sliding slat door, the best solution to keep the loading area clear. The existing space between the guide rails and the shaft wall can be used. Highly resistant 40 mm thick slats. Free passage width between 1,200 and 3,000 mm and free passage height between 2,000 and 2,500 mm.

Please check out our technical specifications for additional information.

EHM / PLATFORM WITH ATTENDANT

The **EHM** Lift is a platform with two modes of function:

- Conventional platform mode, ideal for peak production periods, when it is faster for two operators to be working, one on each landing.
- Platform with attendant mode, designed for periods of time with reduced workload or fewer staff. One operator travelling in the lift can perform all loading-transporting-unloading tasks.

With this mode, you can save on staff costs and ensure more flexible organisation of work.

TECHNICAL CHARACTERISTICS

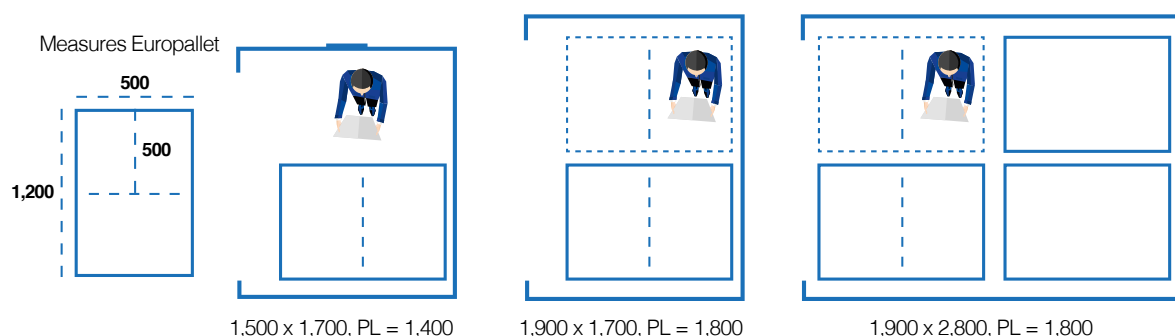
Model	EHM1500	EHM/DCL	EHM/DC
Load	1.000, 1.500 y 2.000 kg	2.000, 3.000 kg	2.000, 3.000, 4.000 , 5.000 kg
Maximum surface area	≤ 2,9, ≤ 4,3, ≤ 5,7 m ²	≤ 5,7, ≤ 8,6 m ²	≤ 5,7, ≤ 8,6, ≤ 11,4, ≤ 14,3 m ²
Maximum travel *	12 m		
Maximum speed	0,15 m/s		
Cabin height	2.000 a 2.500 mm		
Pit Depth	350 to 400 mm (depending on version)		
Headroom height	Cabin height +250 mm		
Clear opening recommended	Cabin width - 80 mm (of cabin's protective features)		
Main options	Double entrance 180°. Anticreep (pawl device) for precise levelling during loading and unloading. Single or double leaf hinged doors and optionally manual or automatic sliding doors.		
Additional safety features	Suspension and traction by means of chains. Double cable safety system in case of traction chain failure. Parachute valve. Cylinder with inner cushioned stop. Slow speed re-levelling.		

(*) Consult for greater travel distances.

Please check out our technical specifications for additional information.

DIMENSIONS SUGGESTED FOR THE LOADING OF EURO PALLETS WITH OR WITHOUT AN OPERATOR

The transportation and load placement options guarantee the operator's safety while travelling in the cabin.



SPECIAL LIFTS



Lifts with inverted sling are to be used when guides must not protrude from the floor at the last stop and the upper floor itself must be flat and free of any obstacles whilst the lift is not in operation (stages, heliports, etc). For each of these application, specific safety measures must be taken and a qualified person must operate the good lift.



Lifts that are resistant to work on temperatures as low as -30°C in frozen storage warehouses or unheated buildings in areas of extreme weather.



Lifts with explosion-proof electrical installation for potentially explosive atmospheres with CE EX II 2G Eex d/e II B T4 certification.



Lifts with watertight electrical wiring and metal parts that have been treated to offer a better resistance to outdoor use.

PITLESS



The **Pitless** solution, with a very small pit, for EH Platforms and EHM elevators for accompanied load. This system is specially designed for buildings whose facilities have architectural restrictions, to adapt to local regulations, to save potential problems of water infiltration and for situations where a pit is not feasible.

Pitless is designed for specially reduced pits, it can even be installed ground level with access via ramp (not supplied).

CHARACTERISTICS

- Types of boarding:
 - Single entrance (lateral).
 - Double entrance 180°.
- Not available with single front boarding or adjacent double entrance (90°) given the configuration of the structure of the car frame.
- Solution with carrier / cabin in EH Elevators and cabin in EHM Elevators.
- Not available with handrails option.
- Compatible with option of anticreep (pawl device).
- Available models EH-1500 and EHM-1500, the full range of dimensions and loads of the model.
- Pit: 100 mm.

SLAT SLIDING DOOR

THE BEST OPTION FOR YOUR LIFTING PLATFORM

Hidral's Slat Sliding Door is entirely and exclusively designed and manufactured by the company for its products within the scope of the Machinery Directive. It is used as a landing door for lifting without cabin doors and slides open to the side to take full advantage of the existing space between the guide rails and shaft wall. The slat Sliding Door can be used as an alternative to a double leaf swing door and is the best solution when the landing area needs to be kept clear or, in lieu of a fully automatic door. It consists of 40 mm-thick slats without intermediate hinges that fit together perfectly to provide high-strength and uniformity when closed.

This door is manufactured exclusively for: Goods Only Lifts EH, Goods and Attendant Lifts EHM and Car Lifting Platform ECH.

Characteristics

Single leaf door with side opening



Double leaf door with central opening



Types of slat and finishes

The slats can be made from aluminium or steel sheet with E90 fire resistance in accordance with EN 81-58. The door is coated with grey epoxy-polyester paint as standard (RAL 7035). Contact us for other colour options.

Safety devices

- Electrical locking in accordance with Standard EN 81 with safety contact for release, control of locked position and auxiliary contact for shaft access detection.
- Electrical safety contact for control of the closed position of the leaf/leaves.
- Limited force during closure with reopening in the event of obstacle detection.



Motorization and electrical lock



Control and setup system



Door slat assembly

Easy to assemble

- The door sill is embedded into the floor to ensure a flush surface without tripping hazards.
- The absence of intermediate hinges facilitates slat replacement or repair.
- All necessary materials are supplied for attachment to the shaft walls by means of brackets and anchor points.

OPTIONS

- Automatic door. Operation integrated with the movement of the lifting good lift by means of a toothed drive belt driven by a DC gear motor and controlled by an electronic circuit.
- Control with auto-adjustment of the travel and operating parameters.
- Optional photocell to detect obstacles and prevent door closure.
- Battery to open the door in the event of power failure.
- Drill hole in the doorframe for the push button panel.

HINGED DOORS

Our hinged doors is entirely designed and manufactured by **Hidral** and it is highly resistant. With 180° opening. The standard model is very robust, but it can also be reinforced by adding an additional hinge and an extra inner plate to add greater resistance.

CHARACTERISTICS

Model	1 LEAF	2 LEAVES
Clear Opening (PL)	600 - 1,250 mm	1,100 - 3,000 mm
Clear height (HL)	2,950 mm	
Reinforced	Steel plate 1,5 mm	
Hinges	Adjustable hinges with 180° opening	
Paint	Baked Epoxy-Polyester paint finish (RAL 7035)	
	Retainer breaks on each door	
	The door frame is delivered dismantled for easier transport	
Optional	Stainless steel doors. Reinforced door	

Please check out our technical specifications to solve any doubt you may have.

LOCKS

The provided safety locks have been designed for a permanent electrical connection.

Doors are kept unlatched while the car is at floor level or with open doors

Doors are made by Hidral for sole use in our goods only lifts.

Fire certified according with EN 81-58.

Adjustable and highly resistant hinges that allows an easy substitution of the leaves.



For Hidral, safety is on the basis of which we run our company and because of this we have developed, the best safety measures for all parties involved, the end user, the installer and maintenance personnel.

1. Double traction system and double safety cable on the suspension.
2. Mechanical blocking of the lift-car for safety during maintenance operations in the pit.
3. Hidral doors specific to our platforms with fireproof certification.
4. Stop button in pit with a plug point for small electrical devices during maintenance.
5. Unauthorized pit access detection that disconnects the platform.
6. Pluggable on lift-car push button panel for maintenance operations only.
7. Latch key inhibitor on the push button panel of every floor.
8. Overload detection device. Standard on platforms for loads higher than 1000 kg and optional for smaller loads.
9. The carrier can be provided with a door less lift-car with interior lighting, lateral walls (roof less car) of heights between 2 m and 2,5 m or 1,1 m handrails.
10. Shut-off valve and pressure gauge in all hydraulic power units.
11. Declaration of conformity issued by Hidral, which is certified by AENOR (the Spanish Association for Standardisation and Certification) to design and manufacture the machinery described in Annex IV, Category 17 of the Machinery Directive 2006/42/EC.

ON THE CONTROL PANEL:

1. Blockable main switch with a padlock on the outside of the panel door.
2. Lighting circuit switch on the panel door next to the main switch.
3. Differential switches for the main circuit and the lighting circuits can be found inside the electrical panel.
4. Thermal circuit breaker to protects against over current and short-circuits on the lighting circuit.

C/ PARSI 7, Nº 3 - 41016 Sevilla - Spain

t. + 34 954 514 500 - f. +34 954 677 633

w w w . h i d r a l . c o m



ER-1029/2000

All Hidral products and services are guaranteed by an AENOR (Spanish Association for Standardisation and Certification) certificate. This document certifies that Hidral's Quality System is managed, designed and implemented in accordance with International Standard ISO 9001:2000. It is also an extra guarantee for its customers, who know they can trust its commitment and expertise.